



SLIMLINE 38



TOGETHER
FOR BETTER

Light

Today's trends in architecture focus mainly on light and blurring the lines between inside and outside. The slender profiles of the SlimLine 38 allow for an abundance of natural light and provide a nearly uninterrupted panoramic view.

Despite the unique slim visible lines, this system is very sturdy and allows for the creation of large floor to ceiling elements that provide a sense of space and maximum use of natural light.



Elegance

Elegance is key with SlimLine 38. Both for the renovation of buildings with industrial designs as for stylish conservatories with the retro-look, the possibility to create a grid pattern makes SlimLine 38 the perfect fit.

The minimalistic frame is reinforced by an invisible drainage system, and hidden hinges further add to the system's elegant design. The SlimLine 38 system provides the perfect harmony between durable material, timeless design and demanding architectural challenges.



Design

Three unique design variants (Classic, Cubic and Ferro) make Slim Line 38 suitable for both renovations as for contemporary design and provide a stylish and minimalistic look.



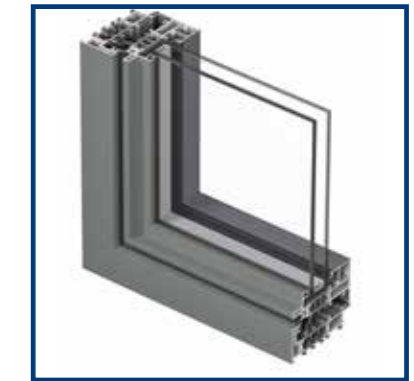
Classic

The Classic design has a traditional steel look with slim visible lines and inclined surfaces. This pronounced design makes it ideal for the renovation or miming of steel-framed windows, while respecting the original design.



Ferro

The SlimLine Ferro variant is characterised by very sharp lines, expressing a strong, yet elegant design. Its minimalistic appearance is ideal for contemporary architecture with character.



Cubic

The typical straight side lines of the Cubic design strengthen the minimalistic look of your windows, answering to the design statement: less is more.





Comfort

SlimLine 38 assures maximal user comfort thanks to a highly insulated 3-chamber system with ultra-slim profiles for increased thermal characteristics. The solution is available in fixed, turn, and turn-tilt variations, and is suitable for both double and triple glazing without losing the minimalistic look.

This system also offers excellent weather performance in terms of air tightness and water tightness. Safety is guaranteed thanks to certified burglary resistance class RC2.



SLIMLINE 38

**TOGETHER
FOR BETTER**

REYNAERS ALUMINIUM NV/SA

Oude Liersebaan 266
B-2570 Duffel
info@reynaers.com
t +32 15 30 85 00
www.reynaers.com